

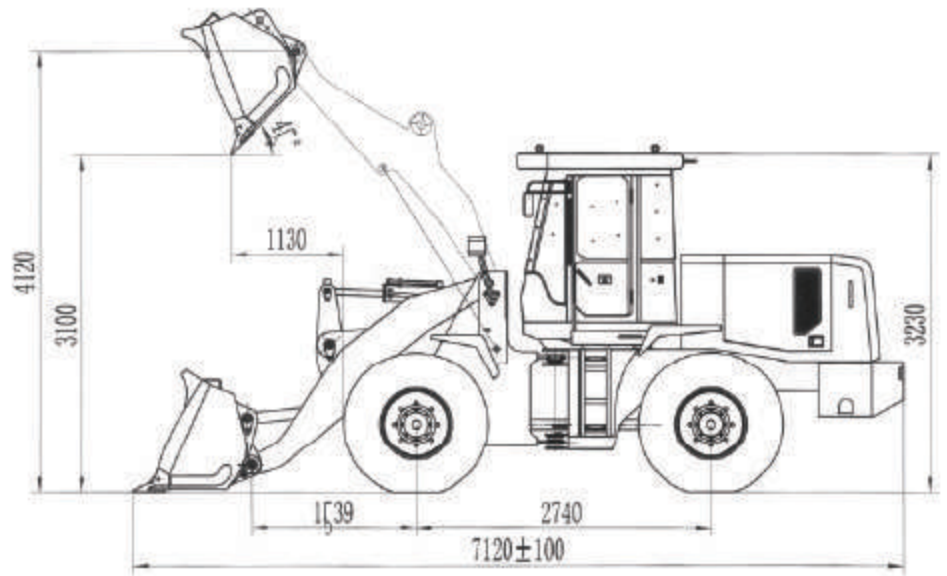
WHEEL LOADER

WL300



Specifications

Engine Model:	WEICHAI WP6G
Rated Power(kw):	92
Rated Speed(rpm):	2200
Rated load(kg):	3000
Rated Bucket Capacity(m3):	1.7-2.5
Overall Size LxWxH(mm):	7180x2370x3200
Wheel base (mm):	2660
Wheel thread(mm):	1800
Max.breakout force (KN):	127
Max.dump height(mm):	3100
Dump distance(mm):	1006
Total time(s):	9.15
Operating Weight(kg):	10000
Tyre:	17.5-25



DESCRIPTION

- Ventilation window with different opening angles for fresh air circulation as needed
- Wide door opening and step geometry for safe and convenient entry
- Spacious interior with ergonomic operator's controls

