

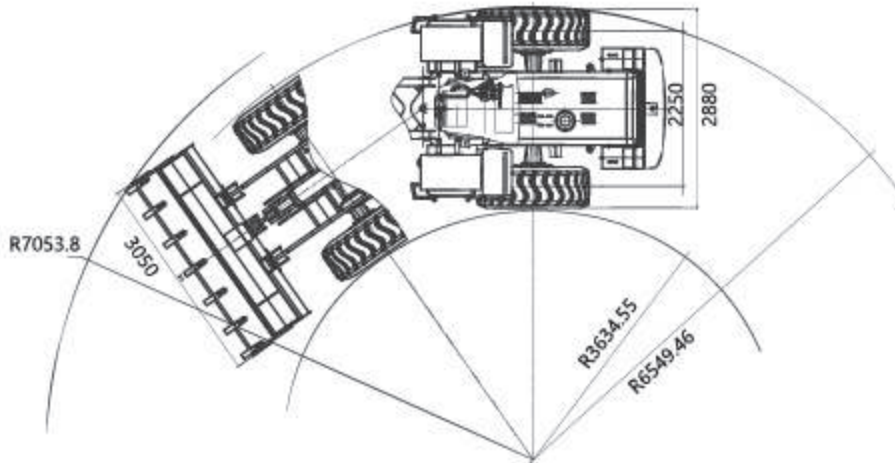
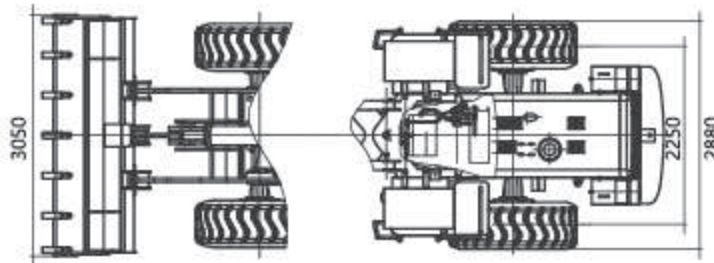
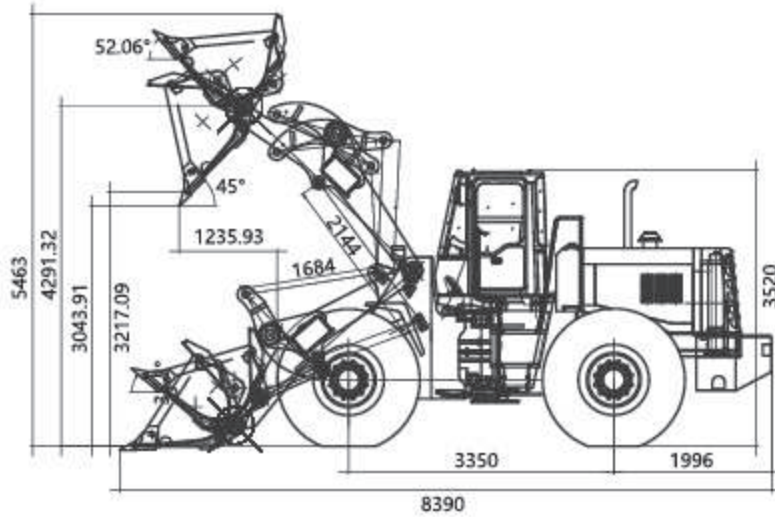
# WHEEL LOADER

## WL600



### Specifications

Engine Model:	WEICHAI WD10G240E21
Rated Power(kw):	175
Rated Speed(rpm):	2200
Rated load(kg):	6000
Rated Bucket Capacity(m3):	3.3
Overall Size LxWxH(mm):	8390×2880×3520
Wheel base (mm):	3350
Wheel thread(mm):	2250
Max.breakout force (KN):	204
Max.dump height(mm):	3448
Dump distance(mm):	1249
Total time(s):	10.8
Operating Weight(kg):	18200
Tyre:	26.5-25



## DESCRIPTION

- Hydraulic steering allows for precise positioning and easy driving
- Pilot joystick control for single hand operation
- VDO (Germany) instrument panel for more accurate readings
- Electronic ZF (Germany) gearbox comes with wrist speed control for easy shifting through the gears
- Ergonomically designed air-conditioned cabin reduces external noises and vibrations

