

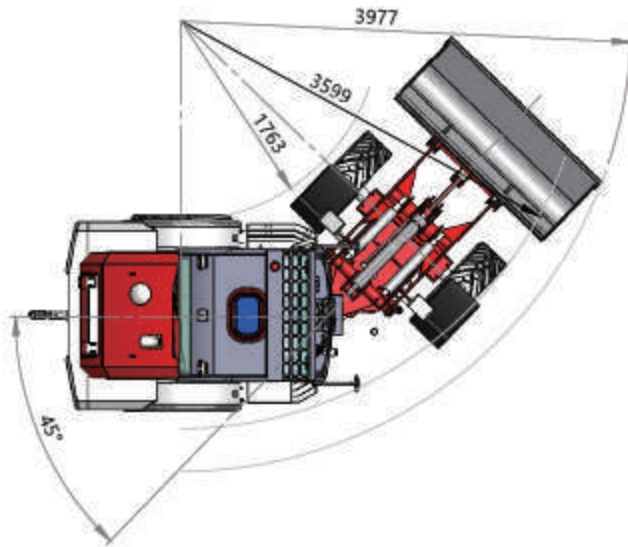
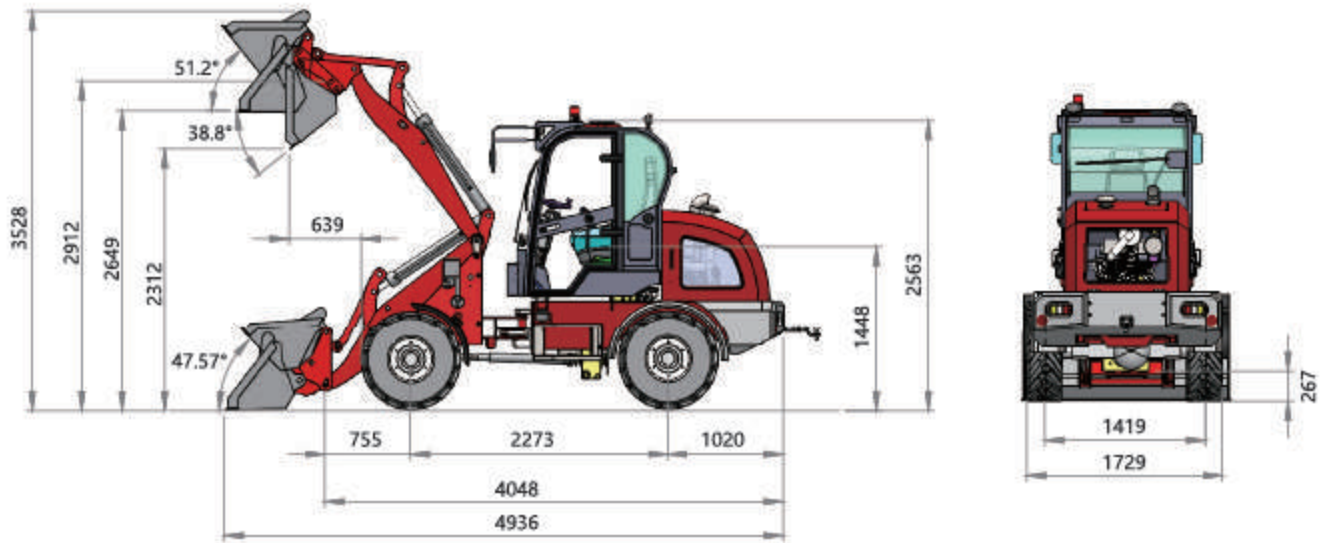
WHEEL LOADER

WL816



Specifications

Bucket Capacity (Cbm):	0.8-0.9
Rated Load (Kg):	1600
Max. Load (Kg):	1700
Overall Weight (Kg):	3900
Max. Dumping Height (mm):	2180
Standard Engine:	XINCHAI A498BT1 E3
Rated Power (Kw):	36.8
Rated Speed (R/min):	2400
Optional Engine:	XICHAI/YUNNEI/CHANGCHAI/KOHLER
Wheel Base (mm):	2273
Wheel Thread (mm):	1419
L×W×H (mm):	4950×1750×2565
Standard Tire:	20.5/70-16
Option Tire:	33X15.5-16.5
Max. Driving Speed (km/h):	18-28



DESCRIPTION

The standard rear-equipped seven-pin aviation plug can be connected to a small trailer immediately

