

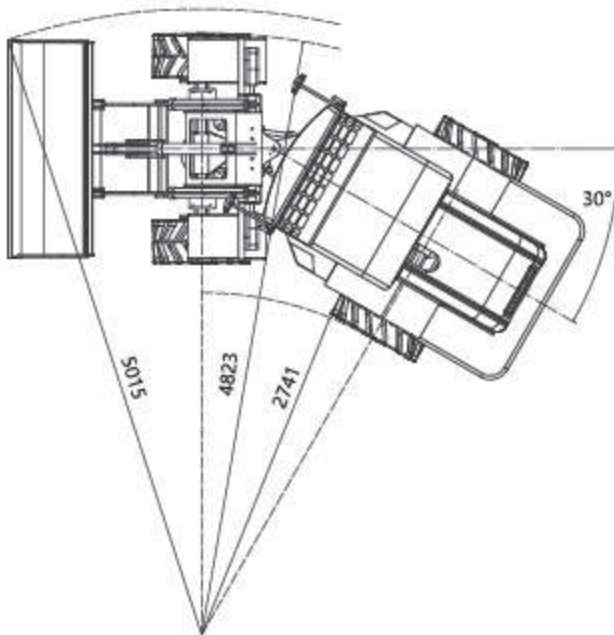
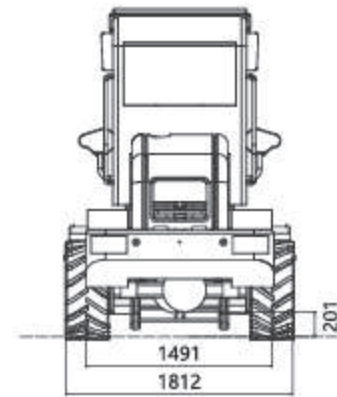
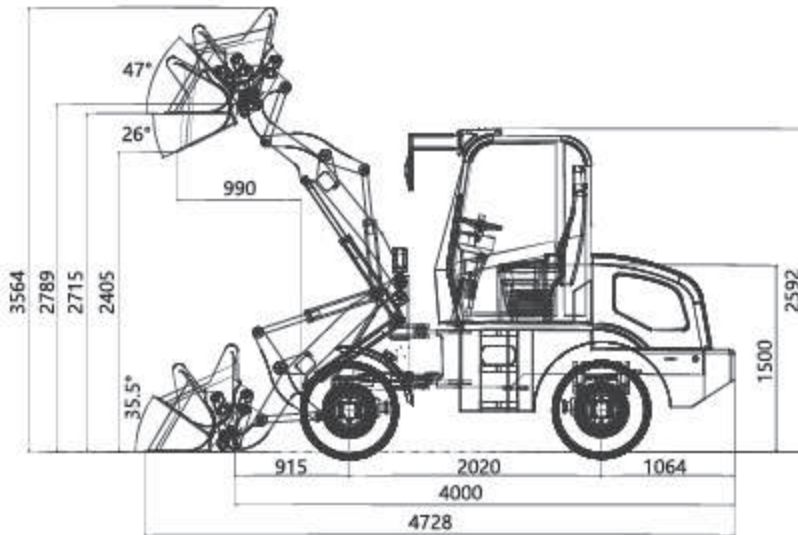
WHEEL LOADER

WL100



Specifications

Engine Model:	CHANGCHAI 490
Rated Power(kw):	39
Rated Speed(rpm):	2400
Rated load(kg):	1000
Rated Bucket Capacity(m3):	0.4-0.6
Overall Size LxWxH(mm):	4728×1700×2600
Wheel base (mm):	2020
Wheel thread(mm):	1490
Max.breakout force (KN):	40
Max.dump height(mm):	2405
Dump distance(mm):	990
Total time(s):	9.5
Operating Weight(kg):	3300
Tyre:	825-16/1200-16/31×15.5-15/20.5-16



DESCRIPTION

The pushbutton-actuated skid-steer-style coupler lets an operator attach and release attachments quickly from the seat. Optional Euro standard quick coupler such as John Deere, Bobcat can be used.

