

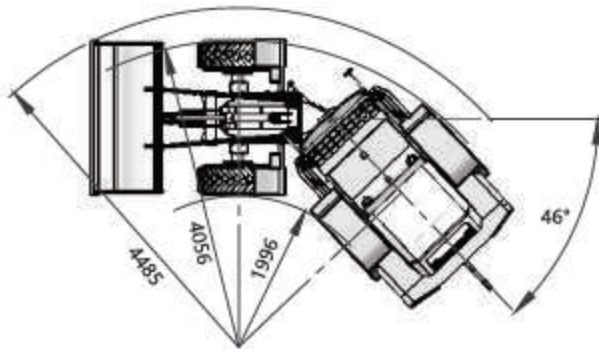
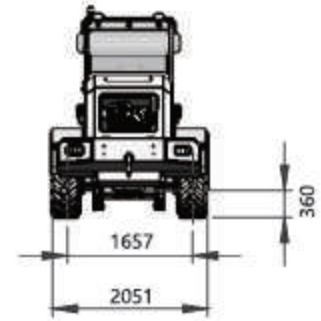
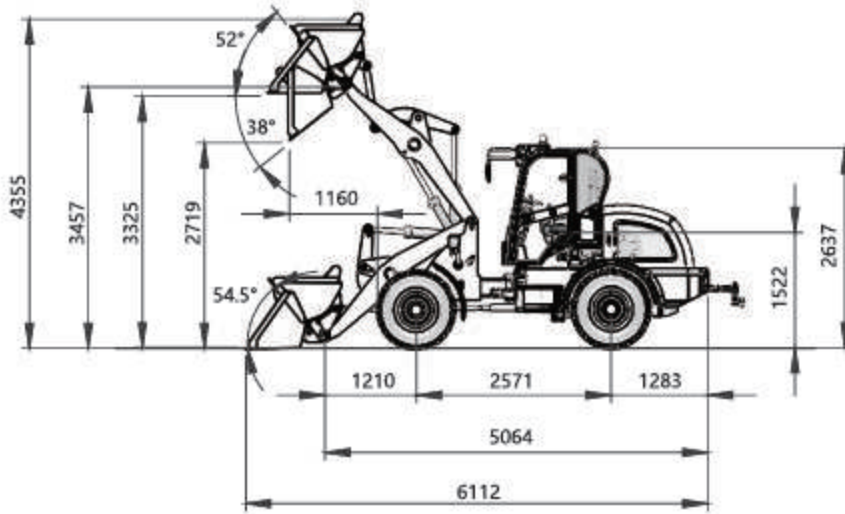
WHEEL LOADER

WL200



Specifications

Engine Model:	CHANGCHAI 4G33
Rated Power(kw):	70
Rated Speed(rpm):	2400
Rated load(kg):	2000
Rated Bucket Capacity(m3):	0.9-1.2
Overall Size LxWxH(mm):	6112×2051×2637
Wheel base (mm):	2571
Wheel thread(mm):	1657
Max.breakout force (KN):	80
Max.dump height(mm):	2719
Dump distance(mm):	1160
Total time(s):	9.5
Operating Weight(kg):	5500
Tyre:	16/70-20



BRAKE

The independent hydraulic oil braking system, which is different from other manufacturers' air-over-oil braking system, can ensure reliable braking ability and completely solve the problem of water existence in the air brake tank.

